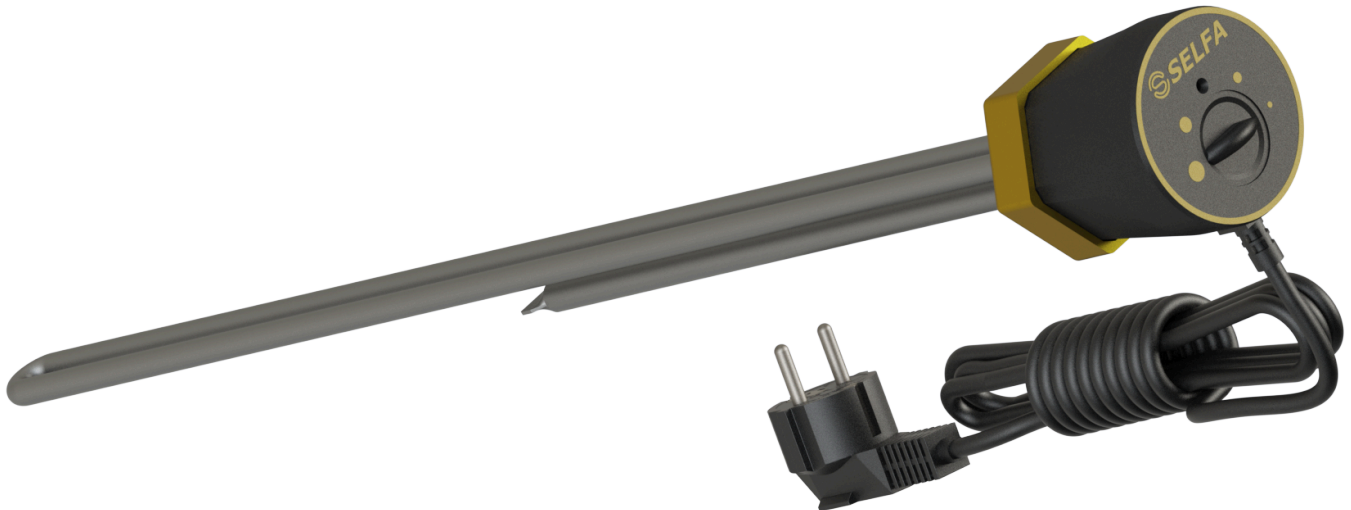


Single-Phase Heater Type GJT Series 50 with 1" Connection



Temperature Adjustment Range:

13-65°C ± 5°C

Cut-Off Temperature:

87°C ± 7°C

Application:

Water Heater

Power:

1000W, 1500W, and 2000W

Operating Pressure:

Max. 10 bar



Product Quality:

Certified by PZH, ISO 9001 Certificate



Designed for Use in Tanks

Enameled and Stainless Steel Tanks

Made of AISI 316L



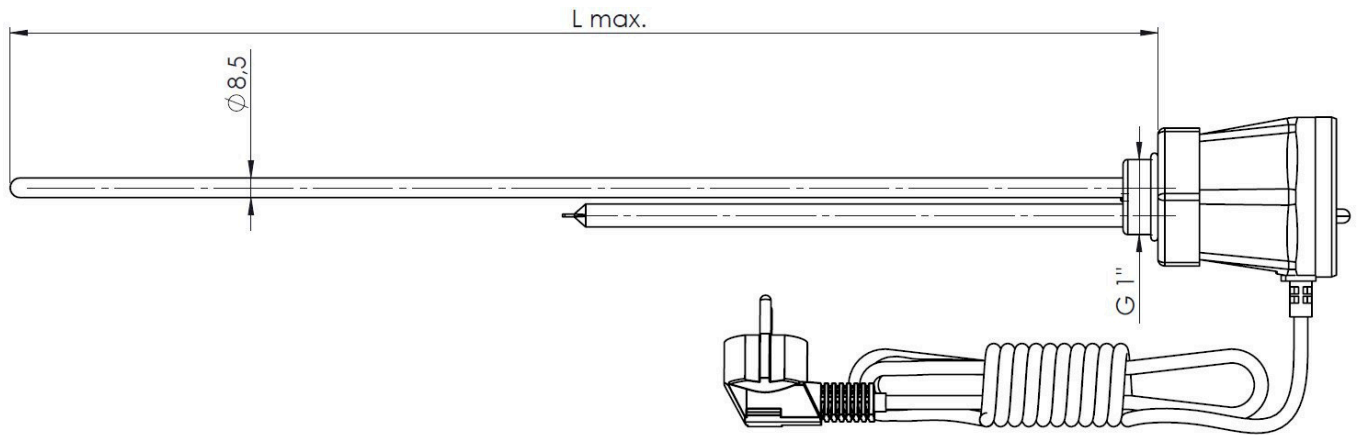
Easy Installation:

Durable Brass Head 1" for 60mm
Wrench.



Made in Poland

Technical data



The GJT heaters of the 50.xxx.123 series are electric heating devices designed for heating water in both open and closed tanks of storage water heaters. The heat energy source consists of tubular heating elements powered by a single-phase 230V voltage. The device is equipped with a thermostat that allows for continuous temperature adjustment within the range of 13-65±5°C. Additionally, it features a non-automatic temperature limiter that protects the heater from overheating at 87±7°C.

The thermostat knob is mounted in the cover. The lower part of the housing body is attached to the head with a 1" BSP thread and a sturdy hexagonal flange for a 60mm wrench, allowing the heater to be screwed into the tank's socket. A sealing gasket for the tank is included in the set.

For the proper operation of this heating device, installation requires a PE protective conductor and an electrical socket with a grounding element.

Table of Standard Products:

Type	Power (kW)	Made of	BSP thread	Flange material	Lmax (mm)
50.106.123	1	AISI 316L	BSP 1"	Ms	300
50.156.123	1,5	AISI 316L	BSP 1"	Ms	300
50.206.123	2	AISI 316L	BSP 1"	Ms	400

Non-heating Zones Lm~60mm, regardless of the type.