

Single-phase heaters GJTi Type Series 50



- **Temperature control range:**
standard version: $23-75^{\circ}\text{C} \pm 5^{\circ}\text{C}$
Version L: $8-60^{\circ}\text{C} \pm 5^{\circ}\text{C}$
- **Limiter trip temperature:**
standard version: $85^{\circ}\text{C} \pm 7^{\circ}\text{C}$
Version L: $77^{\circ}\text{C} \pm 7^{\circ}\text{C}$
- **Usage:**
water heater
- **Protection degree:**
IP 44
- **Working pressure**
max. 10 bar



Manufacturer's warranty:
confirmed with ISO 9001
certificate



Polish product



Galvanically isolated head
Protects the tank and heater



Variable temperature control

Fits tanks from leading manufacturers (Kospel, Elektromet, Galmet, Nibe-Biawar and others).

Construction

Non-heated zones Lm~65 mm

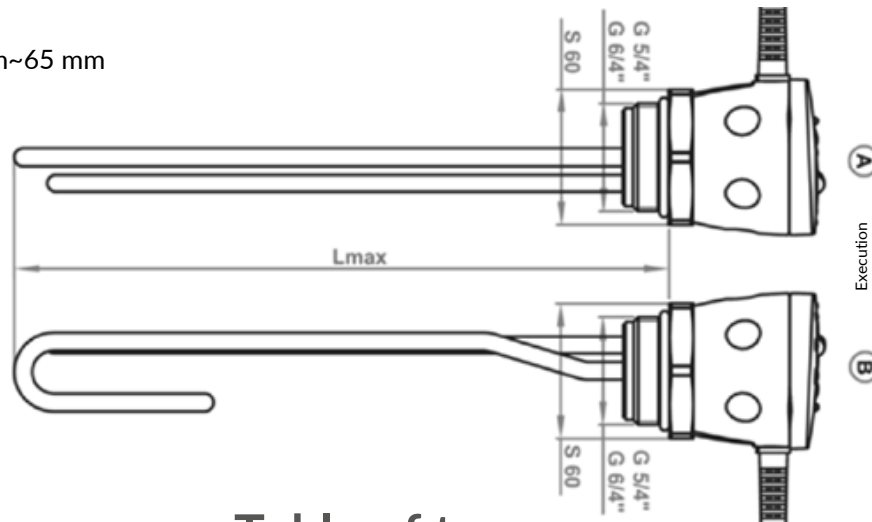


Table of types

Heater	Rated power	Head size	Heater tube material	Execution	Lmax [mm]	Minimum tank capacity [L]
50.157.411	1500 W	G 5/4"	Cu/Ni*	A	305	60
50.157.211		G 6/4"				
50.157.412		G 5/4"	Cu*			
50.157.212		G 6/4"				
50.157.413		G 5/4"	AISI 316L			
50.157.213		G 6/4"				
50.157.413.1		G 5/4"	Incoloy 825			
50.157.213.1		G 6/4"				
50.207.411	2000 W	G 5/4"	Cu/Ni*	B	305	80
50.207.211		G 6/4"				
50.207.412		G 5/4"	Cu*			
50.207.212		G 6/4"				
50.207.413		G 5/4"	AISI 316L			
50.207.213		G 6/4"				
50.207.413.1		G 5/4"	Incoloy 825			
50.207.213.1		G 6/4"				
50.307.411	3000 W	G 5/4"	Cu/Ni*	B	360	120
50.307.211		G 6/4"				
50.307.412		G 5/4"	Cu*			
50.307.212		G 6/4"				
50.307.413		G 5/4"	AISI 316L			
50.307.213		G 6/4"				
50.307.413.1		G 5/4"	Incoloy 825			
50.307.213.1		G 6/4"				

If the heater type additionally includes the letter "L" at the end, this indicates the use of a thermostat with a lower operating temperature range of 8-60°C.

*do not use for stainless steel tanks (heaters made of copper - Cu and Cu/Ni)